

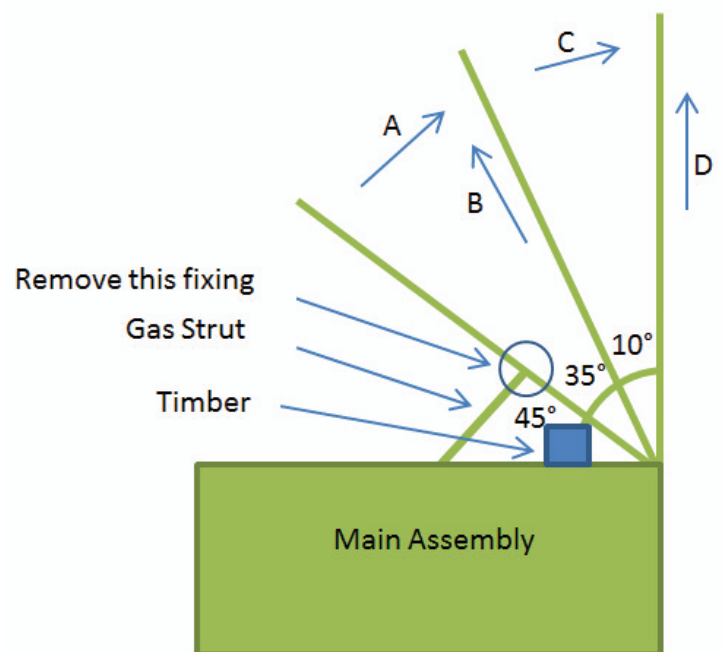
IN-GROUND UNIT COVER REMOVAL



DISCONNECTING THE COVER FROM THE MAIN ASSEMBLY

NB The Pop Up Power unit is designed to be used with the gas strut connected; if gas strut needs to be removed the following procedure must be followed and carried out by competent persons

- This is a two person operation and will require both operatives to wear protective gloves
- Undo the security lock by inserting the security head on the SUB0000139 locking key, only a quarter turn in the anti-clockwise direction is required (See Figure 1). When the security lock is undone the Pop up Power section will rise automatically
- Using the SUB0000139 locking key undo the secondary locking device by inserting the 10mm allen head into the M16 CSK locking bolt and turning in an anti-clockwise direction until locking bolt is free
- Place hand under the pop up section, using this as a handle to lift the cover into the open position (The gas strut will provide an assisted lift and hold the cover up at 45 degree angle)
- Place a piece of timber (approx. 4" x 4" x 500 LG.) horizontally across the shorter width of the opening (as illustrated in Figure 4) to prevent the cover slamming shut if dropped. Ensure wooden block is stable and in place before attempting to disconnect gas strut
- One person is to support the cover holding it in place in the 45° position whilst the second person removes the gas struts top fixing that is attaching it to the cover (See Figure 4)
- Using two 13mm spanners remove the M8 x 35mm that connects the gas ram to the cover
- Once the gas strut is disconnected from the cover the first person can further rotate to cover to a 80° position using two hands to position (A)
- Once in position (A) operator will need to lift the cover in direction (B) as indicated in Figure 4. Once the cover has been lifted the operator will be able to hinge the cover to a 90° position via direction (C)



Apply Force in the above order



HEAD OFFICE
PO Box 1447
Ilford, Essex IG2 6GT

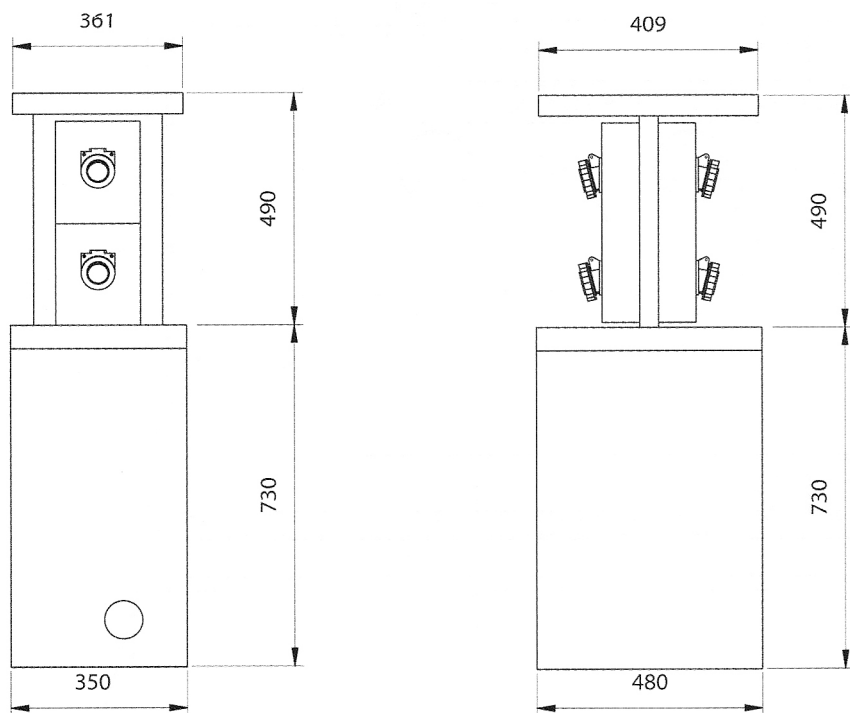
Tel: +44 (0)20 8227 0208

SCOTLAND & NORTHERN IRELAND
PO Box 11355
Paisley PA3 9DW

Tel: +44 (0)141 533 0554

www.popuppower.co.uk

PUPS04 STANDARD DIMENSIONS



PUPS04 TYPICAL INSTALLATION



HEAD OFFICE
PO Box 1447
Ilford, Essex IG2 6GT

Tel: +44 (0)20 8227 0208

SCOTLAND & NORTHERN IRELAND
PO Box 11355
Paisley PA3 9DW

Tel: +44 (0)141 533 0554

www.popuppower.co.uk