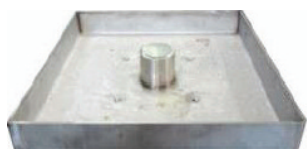


PUPS 01

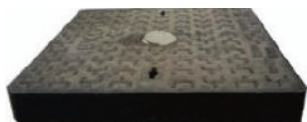
Total power 125 amps single or 3 phase incoming supply.
Can be used to supply electricity, gas and telephone.
Raised by turning handle(suitable for use in HGV areas).



COVER TYPES



A. Cover to fill stainless steel AISI304 20t load



B. Cover closed cast iron 40t load



C. Cover to fill cast iron 40t load

ELECTICAL CONFIGURATIONS

1. (For a stage or events)

- 1 no. 63 amp 5P sockets with RCBO protection
- 2 no. 32 amp 2P sockets with RCBO protection
- 4 no. 16 amp 2P sockets with RCBO protection

2. (For a stage or events)

- 1 no. 125 amp 5P sockets with RCBO protection
- 1 no. 32 amp 2P sockets with RCBO protection
- 1 no. 32 amp 5P sockets with RCBO protection

3. (For a market)

- 4 no. 16 amp 2P sockets with RCBO protection
- 2 no. 32 amp 2P sockets with RCBO protection
- 6 no. 16 amp 2P sockets with RCBO protection

4. (For a market)

- 4 no. 16 amp 2P sockets with RCBO protection
- 1 no. 32 amp 5P sockets with RCBO protection
- 1 no. 32 amp 2P sockets with RCBO protection
- 5 no. 16 amp 2P sockets with RCBO protection
- 1 no. RJ45 outlet

TYPE OF MOVEMENT

Raised by turning handle

TOTAL WEIGHT

450kg

STRUCTURE

Stainless steel, cast iron and concrete

ADDITIONAL EQUIPMENT

- Compressed air system
- Gassystem
- Telephone system
- Jacks Rj-data
- Audio-video connectors



HEAD OFFICE
PO Box 1447
Ilford, Essex IG2 6GT

Tel: +44 (0)20 8227 0208

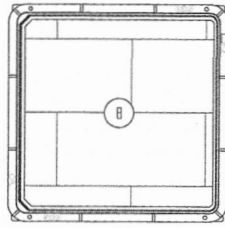
SCOTLAND & NORTHERN IRELAND
PO Box 11355
Paisley PA3 9DW

Tel: +44 (0)141 533 0554

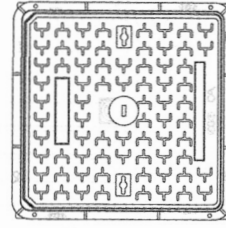
www.popuppower.co.uk

PUPS01 STANDARD DIMENSIONS

Recessed cover for infill

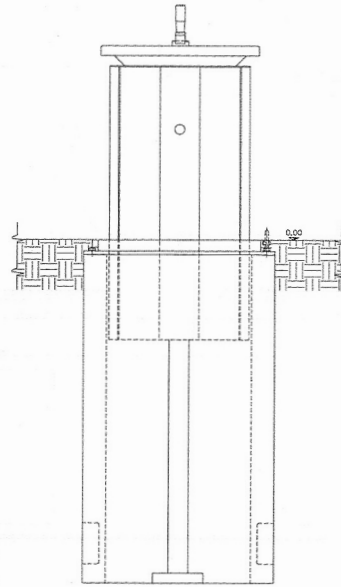


Cast iron cover

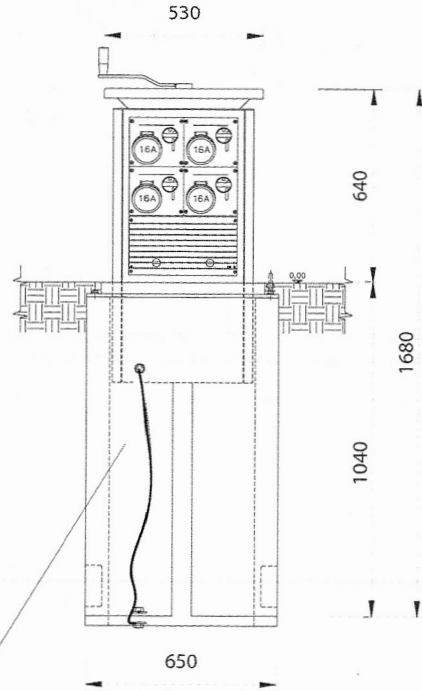


PUPS01 TYPICAL INSTALLATION

Side view



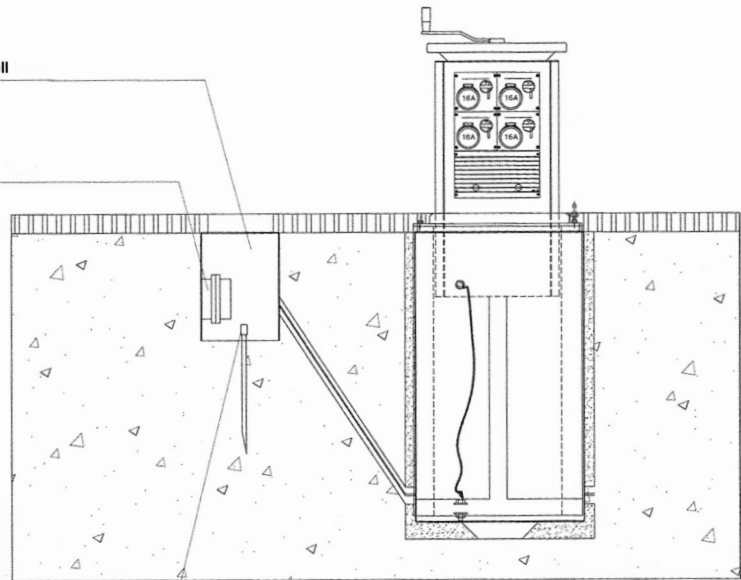
Front view



Flexible copper cable to earth

Incoming supply well

Incoming cable



HEAD OFFICE
PO Box 1447
Ilford, Essex IG2 6GT

Tel: +44 (0)20 8227 0208

SCOTLAND & NORTHERN IRELAND
PO Box 11355
Paisley PA3 9DW

Tel: +44 (0)141 533 0554

www.popuppower.co.uk